



# Stainless Steel Pumps

# Model BEST ONE Domestic Submersible Sump Pumps

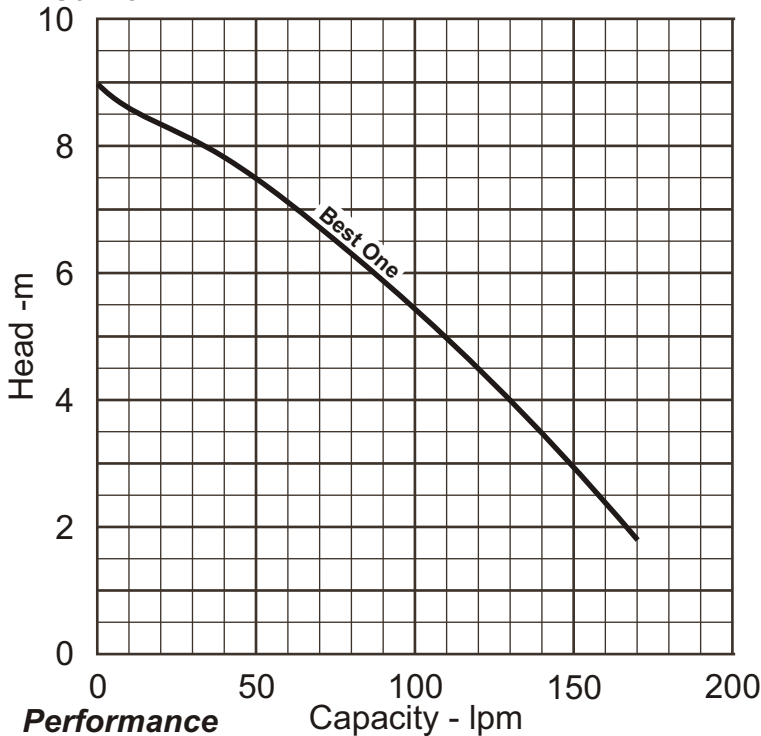
**Best One MA**  
Automatic pump with Float Switch

All Stainless Steel with Mechanical seal



Domestic sump pump manufactured in 304 stainless steel and with a mechanical shaft seal for reliability. Suitable for many dewatering usages, including:- draining wells, basements, cellars, etc. emptying of tanks & drums general transfer of clean water.

### Performance Curve



### Performance Table

Pump Model	Motor Output	Discharge Ø mm	Power Supply	Full Load Current	Capacitor (1Phase models only)	Q= Capacity - litres/min						
						0	20	40	80	120	160	170
Best One	0.25 kW	32 mm	240V, 50Hz, 1Ph	2.3 A	8µF	H=Total Head - metres (m)						
						9.0	8.3	7.8	6.3	4.5	2.4	1.8

### Specifications

Submersible pump with semi open impeller  
Maximum solids handling 10 mm  
Maximum liquid temperature: 50°C  
Maximum submergence: 5m

### Materials

Pump casing: 304 Stainless Steel  
Impeller: 304 Stainless Steel  
Outer casing: 304 Stainless Steel  
Shaft : 303 Stainless Steel  
Motor frame: 304 Stainless Steel  
Motor Cap: 304 Stainless Steel  
Fasteners: 304 Stainless Steel  
Seal: Carbon/Ceramic Mechanical Seal in oil lubricated chamber, Upper Lip Seal

### Motor Data

Air filled, dry submersible, 2 pole motor  
Insulation class F  
IP68 protection  
50 Hz, 1 phase, 240 Volt  
In built overload protection

### Cable

5 m of cable (with plug)

### Range

32mm discharge  
0.25 kW motor  
Single phase, automatic or manual versions  
Magnetic Switch version available

### Options



**Best One MS**  
Automatic pump with Magnetic Switch



**Best One M**  
Manual Pump



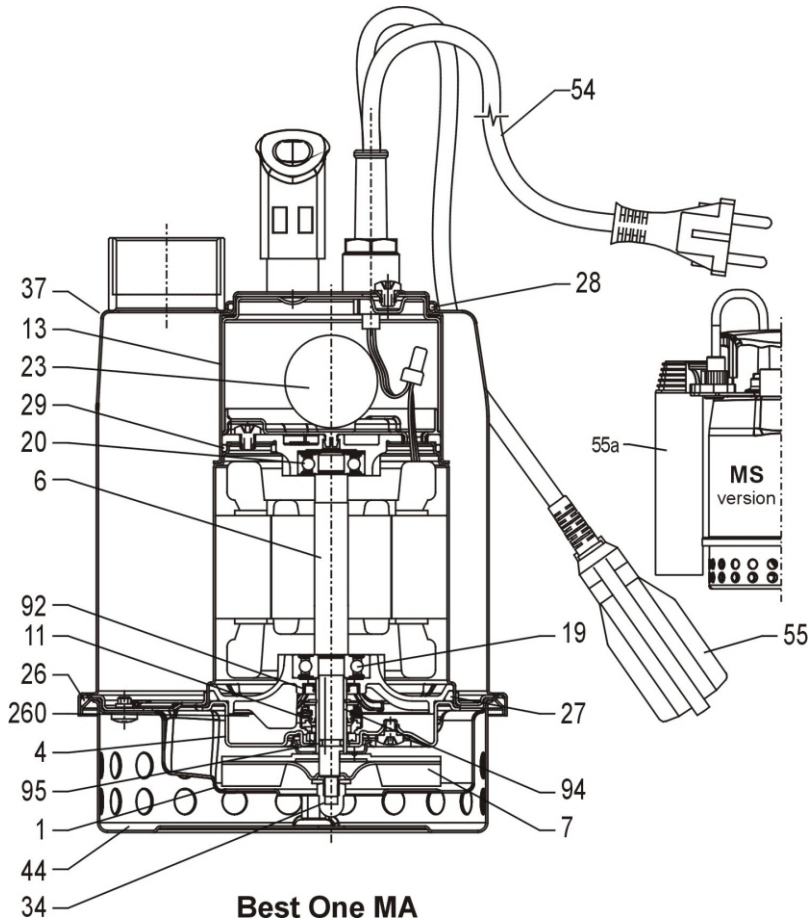
Low level suction "skirt" (down to 3mm)



(for manual model)

# Sectional Drawing

Model **Best One**



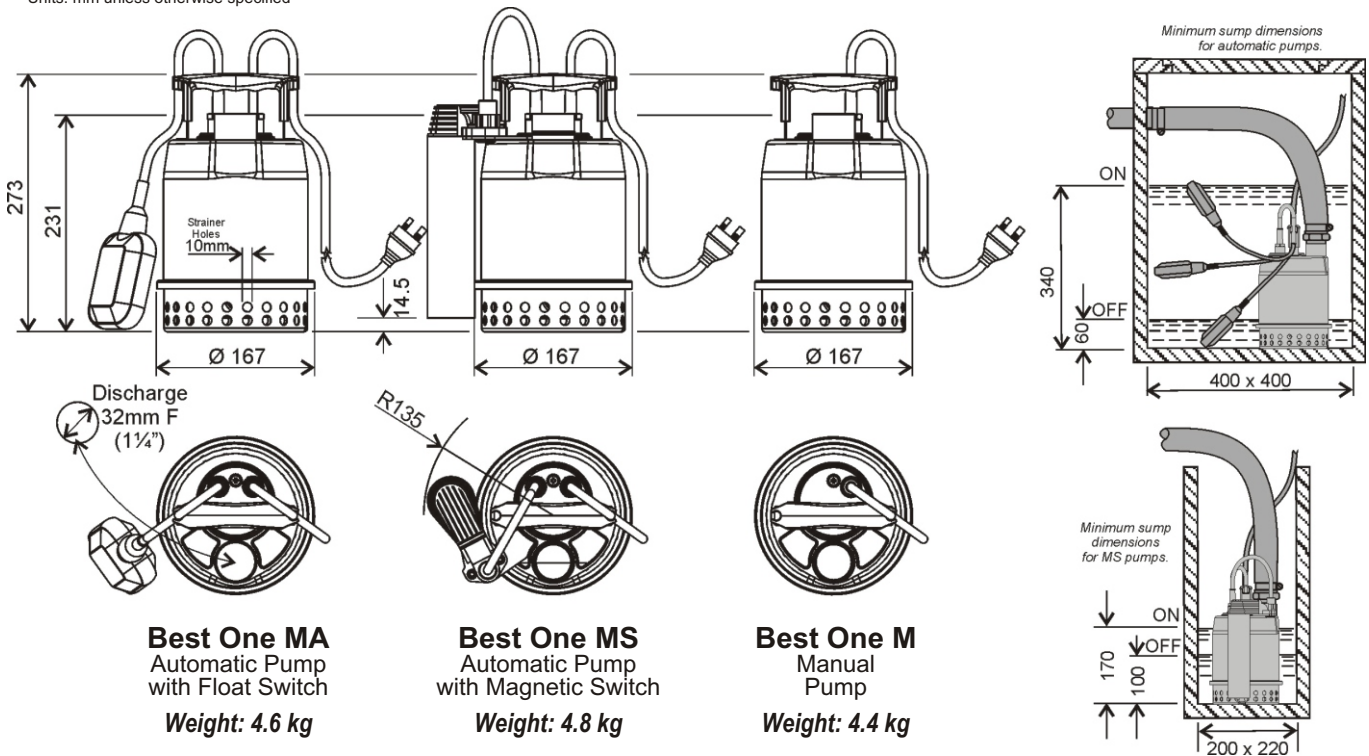
Item Number	Description	Material	Quantity per unit
1	Casing	AISI 304 Stainless Steel	1
4	Casing Cover	AISI 304 Stainless Steel	1
6	Shaft with rotor #	AISI 303 Stainless Steel	1
7	Impeller	AISI 304 Stainless Steel	1
11	Mechanical Seal	Carbon/Ceramic/NBR	1
13	Motor Cover	AISI 304 Stainless Steel	1
19	Lower Bearing	Sealed Ball Bearing	1
20	Upper Bearing	Sealed Ball Bearing	1
23	Capacitor		1
26	O' Ring	NBR Rubber	1
27	O' Ring	NBR Rubber	1
28	O' Ring	NBR Rubber	1
29	O' Ring	NBR Rubber	1
34	Impeller Nut	AISI 303 Stainless Steel	1
37	Outer Casing	AISI 304 Stainless Steel	1
44	Strainer	AISI 304 Stainless Steel	1
54	Submersible Power Cable		1
55	Float Switch (for MA version only)		1
55a	Float Switch (for MS version only)		1
92	Lip Seal	NBR Rubber	1
94	Shaft Sleeve	Ceramic coated 303 SS	1
95	O' Ring	NBR Rubber	1
260	Oil	Esso MARCOL 172	40cc

# refers to pump side of shaft material

# Dimensions

Model **Best One**

Units: mm unless otherwise specified



**Best One MA**  
Automatic Pump  
with Float Switch  
Weight: 4.6 kg

**Best One MS**  
Automatic Pump  
with Magnetic Switch  
Weight: 4.8 kg

**Best One M**  
Manual  
Pump  
Weight: 4.4 kg

Specifications subject to change without notice